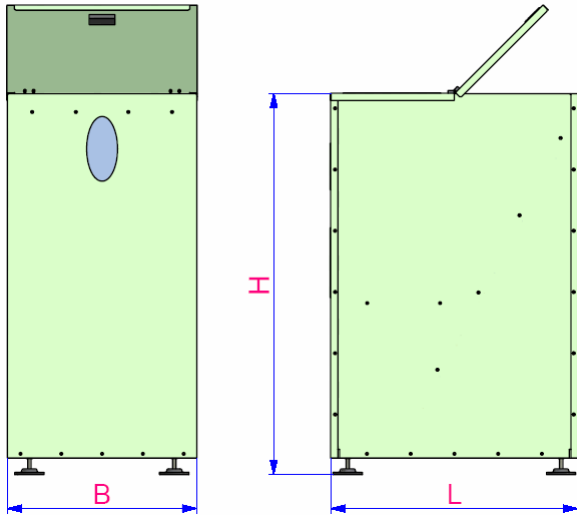


PELLET CONTAINER



OVERALL DIMENSIONS				
Model	Capacity kg	B mm	H mm	L mm
CP220	220	650	1300	850
CP120	120	350	1300	850

CHARACTERISTICS

The pellet container must be placed on thermal group side because the feeding screw must unload the pellet in the burner by falling down. It is available in 2 models with different capacities. It grants working autonomy among two different fuel charges in this way it possible to combine the fuel charge to the normal weekly burner cleaning operations. The container is made up of walls blocked by screws so it can be easily dismantled all the external parts are in painted steel and the internal parts are in galvanized plate. The adjustable stems allow to place the container on non linear surfaces. Under the cover is situated a protection grill in order to avoid that foreign body fault inside the container the particular chutes shape allow the screw to empty the container also from the saw dust, so the container must be empty only at the end of the season. On the back wall there are also an inspection door and the cover where is placed a sensor level for the eventual automatic filling from an external container. The above fixed cover can be equipped, by eliminating the flange, with an external aspiration pellet system from another container.

