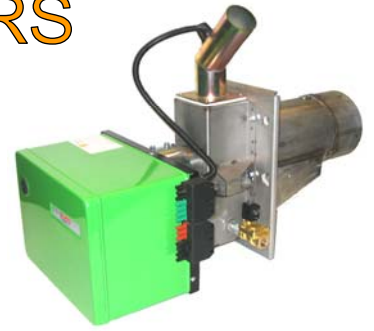
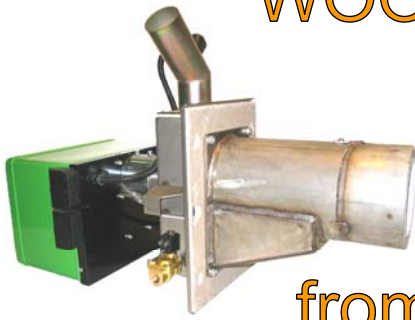


WOOD PELLETS BURNERS

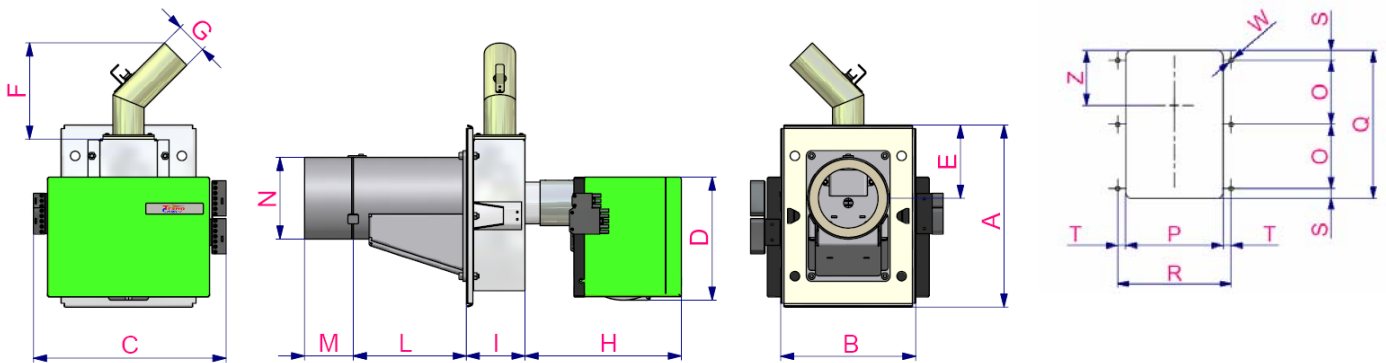
POWERS

from 40 kW to 100 kW



TECHNICAL DATA

Type	Power Min-Max		Electrical Supply		Fan W	Igniter W	Feed. Screw W
	kW		V	Hz			
SPL 40	20	- 40	230	50	50	400	38
SPL 50	25	- 50	230	50	100	400	38
SPL 65	30	- 65	230	50	100	400	45
SPL 100	50	- 100	230	50	200	400	45



OVERALL DIMENSIONS [mm]

BOILER DOOR HOLES DIMENSIONS [mm]

Modello	A	B	C	D	E	F	G	H	I	L	M	N	O	P	Q	R	S	T	W	Z
SPL 40	341	251	346	232	136,5	130	60	221	112,5	216	93	156	115	175	265	204	17,5	14,5	M8	98,5
SPL 50	341	251	368	235,5	136,5	130	60	299	112,5	216	93	156	115	175	265	204	17,5	14,5	M8	98,5
SPL 65	396	311	368	235,5	141	130	60	299	112,5	234	108	190	135	240	325	270	27,5	15	M8	108
SPL 100	396	311	452	350	141	130	60	323	112,5	234	108	190	135	240	325	270	27,5	15	M8	108

CHARATERISTICS

The SPL burner is completely automatic and it works with a solid fuel boiler. It has a high power centrifugal fan and it develops a horizontal flame, just like traditional burners. All fire exposed components are made of steel which is resistant to high temperatures. The burner fluid dynamics permits an homogeneous mixture of fuel/combustive agent with a high burning output, so the burner can work with low air levels the same levels which are normally used for liquid fuels. The feeding screw allows pellets supply. Regulation can be all/nothing two staged or multi staged; a programming system allows selection of the type of regulation. The fan speed allows the changing of the air quantity according to burner power. The fuel quantity changes in relation to the Archimedean screw electrical pulses. On the burner there aren't any mechanical devices or moving components. The ignition system is totally automatic an reliable.