

# WOOD PELLETS BURNERS

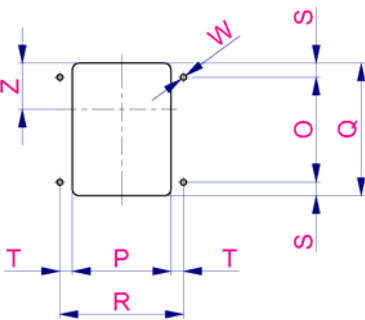
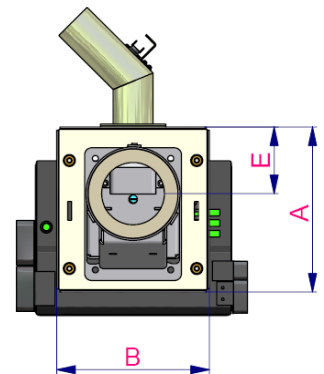
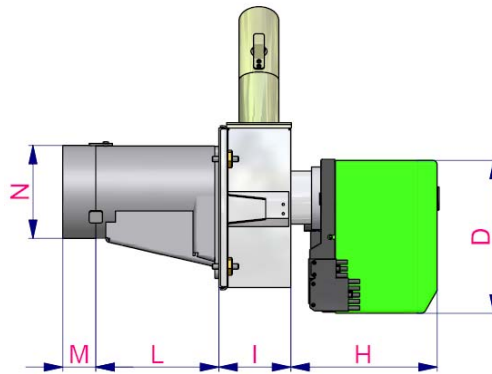
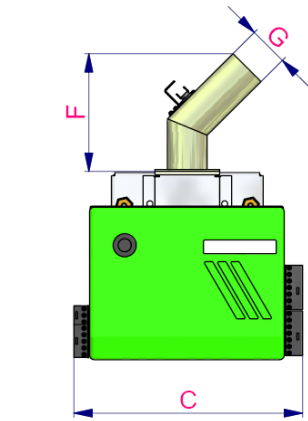
## POWERS

25 kW - 35 kW



### TECHNICAL DATA

Type	Power Min-Max kW	Electrical Supply		Fan W	Igniter W	Feed. Screw W
		V	Hz			
SPL 25	12,5 - 25	230	50	50	400	38
SPL 35	17,5 - 35	230	50	50	400	38



### OVERALL DIMENSIONS [mm]

Type	A	B	C	D	E	F	G	H	I	L	M	N
SPL 25/35	249	229	346	232	100,5	130	60	221	109	170	53	140

### BOILER DOOR HOLES DIMENSIONS [mm]

Modello	O	P	Q	R	S	T	W	Z
SPL 25/35	164	152	206	191	21	19,5	M8	72

### CHARACTERISTICS

The SPL burner is completely automatic and it works with a solid fuel boiler. It has a high power centrifugal fan and it develops a horizontal flame, just like traditional burners. All fire exposed components are made of steel which is resistant to high temperatures. The burner fluid dynamics permits a homogeneous mixture of fuel/combustive agent with a high burning output, so the burner can work with low air levels the same levels which are normally used for liquid fuels. The feeding screw allows pellets supply. Regulation can be all/nothing two staged or multi staged; a programming system allows selection of the type of regulation. The fan speed allows the changing of the air quantity according to burner power. The fuel quantity changes in relation to the Archimedeian screw electrical pulses. On the burner there aren't any mechanical devices or moving components. The ignition system is totally automatic and reliable.