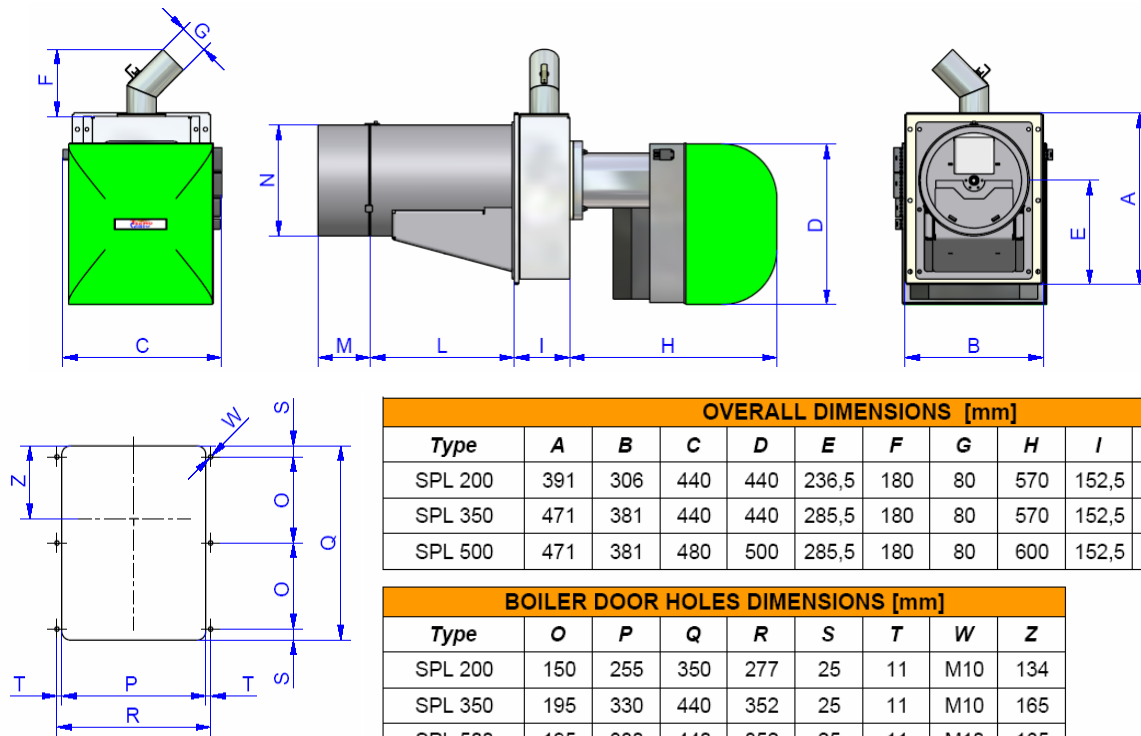


WOOD PELLETS BURNERS

Power
from 200 kW to 500 kW



TECHNICAL DATA							
Type	Power Min-Max		Electrical Supply		Fan	Igniter	Feed. Screw
	kW		V	Hz	W	W	W
SPL 200	100	- 200	230	50	370	800	180
SPL 350	150	- 350	230	50	370	800	180
SPL 500	250	- 500	230	50	650	800	250



OVERALL DIMENSIONS [mm]												
Type	A	B	C	D	E	F	G	H	I	L	M	N
SPL 200	391	306	440	440	236,5	180	80	570	152,5	351	130	245
SPL 350	471	381	440	440	285,5	180	80	570	152,5	396	144	304
SPL 500	471	381	480	500	285,5	180	80	600	152,5	396	144	304

BOILER DOOR HOLES DIMENSIONS [mm]								
Type	O	P	Q	R	S	T	W	Z
SPL 200	150	255	350	277	25	11	M10	134
SPL 350	195	330	440	352	25	11	M10	165
SPL 500	195	330	440	352	25	11	M10	165

CHARACTERISTICS

The SPL burner is completely automatic and it works with a solid fuel boiler. It has a high power centrifugal fan and it develops a horizontal flame, just like traditional burners. All fire exposed components are made of steel which is resistant to high temperatures. The burner fluid dynamics permits an homogeneous mixture of fuel/combustive agent with a high burning output, so the burner can work with low air levels the same levels which are normally used for liquid fuels. The feeding screw allows pellets supply. Regulation can be all/nothing two staged or multi staged; a programming system allows selection of the type of regulation. The fan speed allows the changing of the air quantity according to burner power. The fuel quantity changes in relation to the feeding screw electrical pulses. On the burner there aren't any mechanical devices or moving components. The ignition system is totally automatic and reliable.