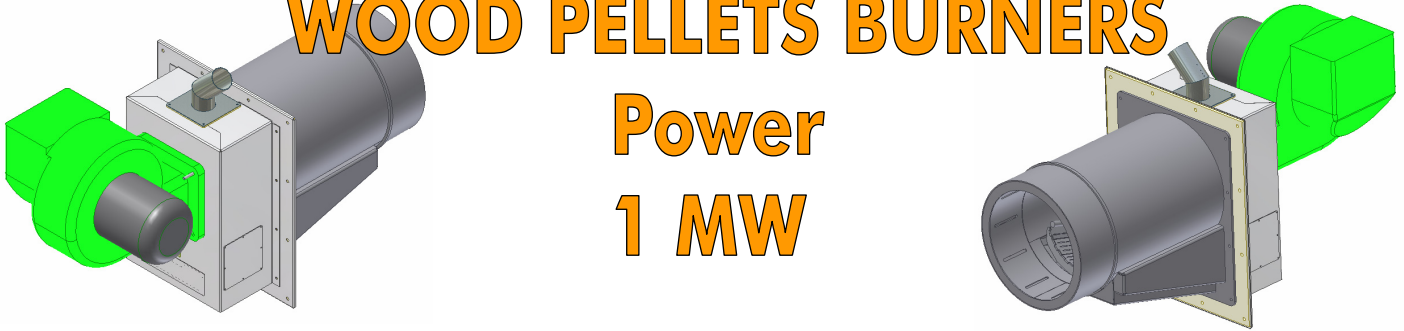
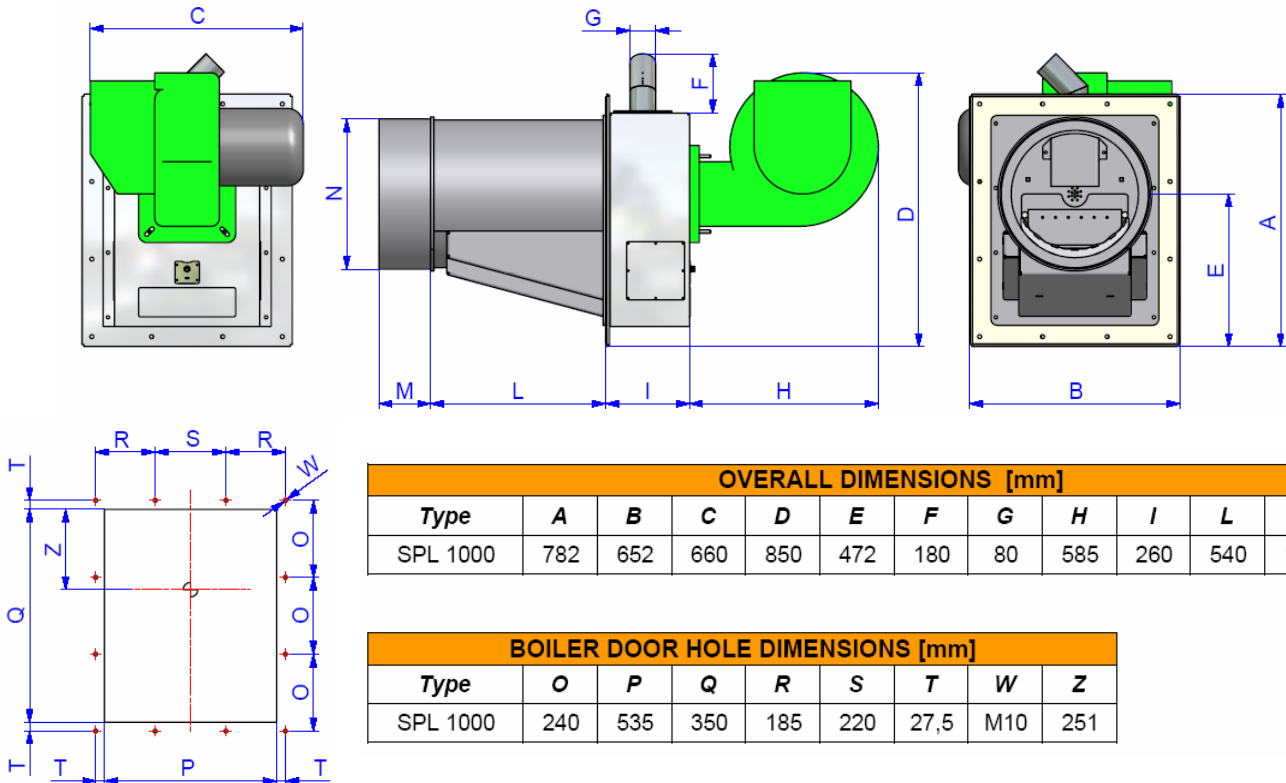


WOOD PELLETS BURNERS

Power 1 MW



TECHNICAL DATA							
Type	Power Min-Max		Electrical Supply		Fan kW	Igniter W	Feed. Screw W
	kW		V	Hz			
SPL 1000	300	- 1000	400 AC 3N	50	2,2	1000	250



OVERALL DIMENSIONS [mm]												
Type	A	B	C	D	E	F	G	H	I	L	M	N
SPL 1000	782	652	660	850	472	180	80	585	260	540	190	465

BOILER DOOR HOLE DIMENSIONS [mm]								
Type	O	P	Q	R	S	T	W	Z
SPL 1000	240	535	350	185	220	27,5	M10	251

CHARACTERISTICS

The SPL burner is completely automatic and it works with a solid fuel boiler. It has a high power centrifugal fan and it develops a horizontal flame, just like traditional burners. All fire exposed components are made of steel which is resistant to high temperatures. The burner fluid dynamics permits an homogeneous mixture of fuel/combustive agent with a high burning output, so the burner can work with low air levels the same levels which are normally used for liquid fuels. The feeding screw allows pellets supply. Regulation can be all/nothing two staged or multi staged; a programming system allows selection of the type of regulation. The fan speed allows the changing of the air quantity according to burner power. The fuel quantity changes in relation to the feeding screw electrical pulses. On the burner there aren't any mechanical devices or moving components. The ignition system is totally automatic and reliable.